

CONGRATULATIONS!

Like thousands of Nomadic Display owners around the world, you now own the highest quality portable/modular display. Your Nomadic Instand® is specially designed to give you the ultimate in versatility. Classic (curved) and Plus (straight) frame systems fully integrate to meet your growing exhibit demands. And your 100% satisfaction is guaranteed by Nomadic.



The “No Questions Asked” Lifetime Warranty

Your Instand frame is guaranteed for life. If it ever fails to function — for any reason — Nomadic Display will repair it free of charge for as long as you own it. Be sure to complete and return the enclosed warranty card immediately.

Made by Nomadic Display

Superior in design and strength, your Nomadic Display is built in Nomadic’s own manufacturing plants in the U.S. and Ireland. We use only premium grade materials and take pride in maintaining the highest standards of craftsmanship. Your display is delivered to you packed for maximum protection and quick assembly.



Nomadic Cares, Please Recycle

All Nomadic aluminum frames and cases can be recycled.

We recommend that you assemble and repack your display prior to your first event. It is important to follow each step in the order indicated. If you need additional assistance or have any questions, please call your nearest Nomadic LifeLine:

North America:

800.732.9395

Ireland/Europe:

+ 353.1.208.7261

United Kingdom:

07699 734215

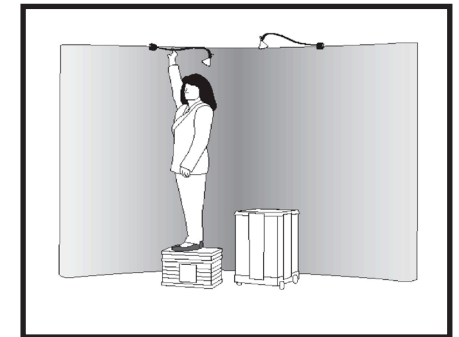
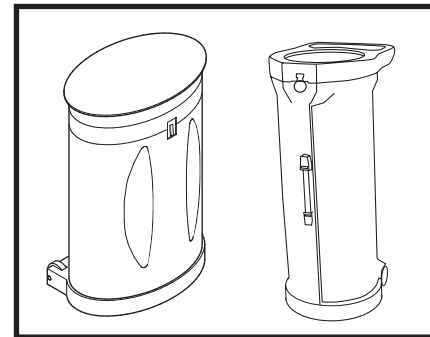
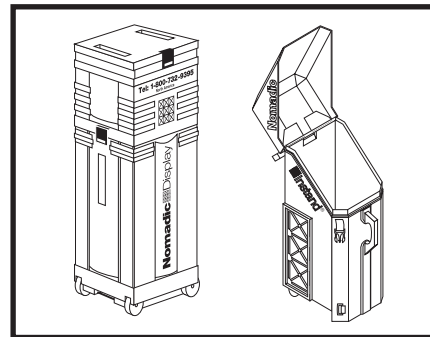
Proper Care & Maintenance of your Nomadic Display

- Store display upright at room temperature
- Do not subject to extreme heat or cold
- Do not leave display in direct sunlight or trunk of auto
- Return display to room temperature before handling
- Avoid extreme bending of Panels or permanent creasing will occur
- Use fabric brush to remove dust from FabriColor Panels

Setting Up Your Display

REMEMBER –

Read the complete instructions about your Instand product before assembling. If you need additional assistance or have any questions, please call the nearest Nomadic LifeLine.

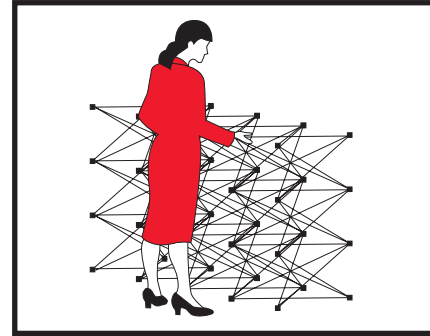


Rolluxe Case top serves as a built-in step stool to facilitate hanging and adjusting lights or graphics.

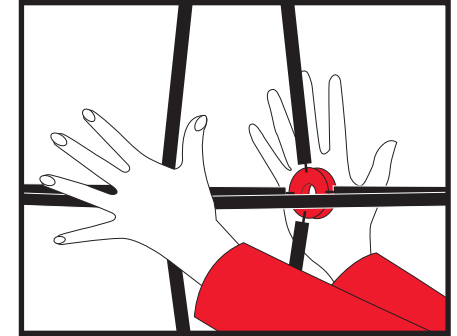
Setting Up Your Display



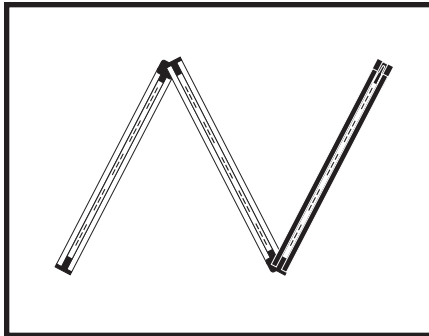
Place frame with red studs facing front.



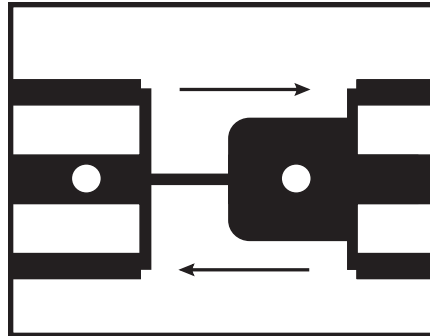
Grasp two top center hubs and lift frame open to shoulder height. Handle frame at hubs only.



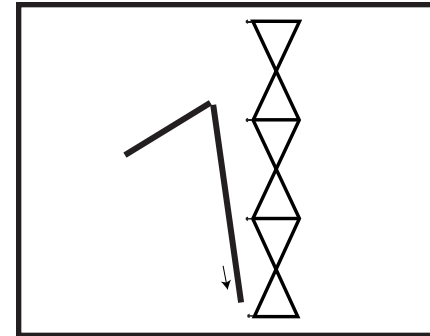
Press front and back hubs in the center of the frame until Instand locks into position. (Front and back hubs do not meet.)*



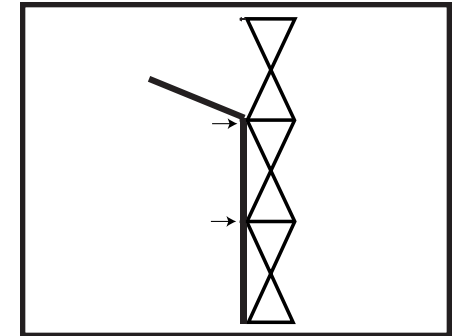
Unfold connected strut insuring magnets are facing the same direction...



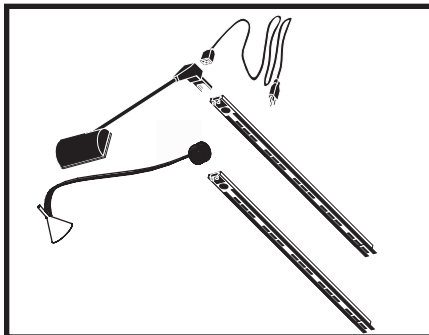
...and connect bottom two sections by joining as illustrated.



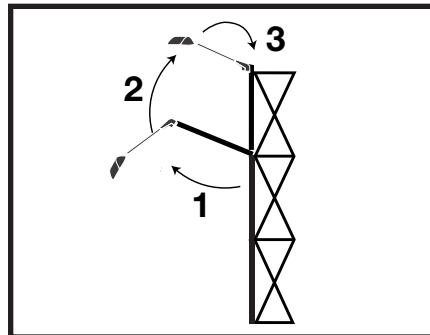
Slide bottom of connected strut onto the red stud at the bottom of the frame.



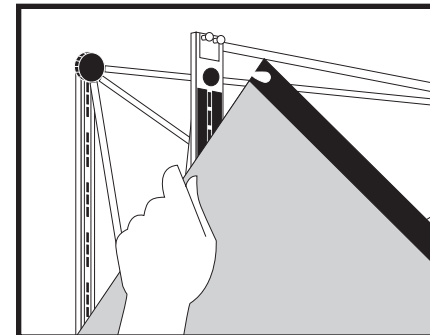
Snap next two connectors onto studs on frame.



Attach lights to top of struts. Swivel fixtures to adjust position. Run cord behind display.



Rotate top section of strut up and slide down onto top stud.

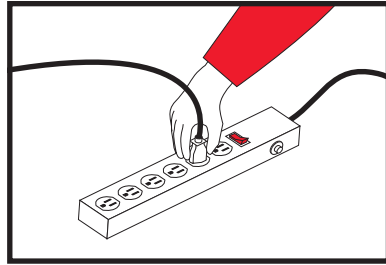


Hang all top panels and full size panels first. Lift onto studs atop frame. Hook one side then the other. Gradually release downward to bond magnets.



Bow endcaps and lift onto studs atop both sides of frame. For hinged panels hook one side then the other. Slide hands along length of panel to bond magnets.

Remove all accessories



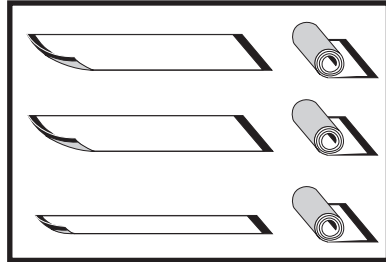
Switch off and unplug all lights.
Allow them to cool.



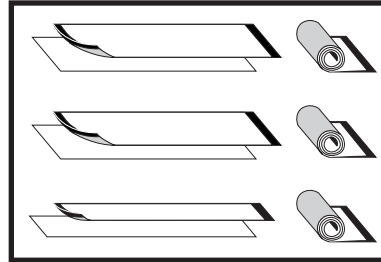
Gently remove and roll up all
surface graphics.

Dismantling Instructions

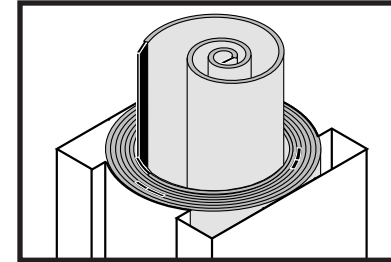
Remove and roll up
FabriColor and
Photomural Strips:



Roll individual **Ribbed** Panels fabric side
out. Roll Fronrunner End Caps fabric
side out.

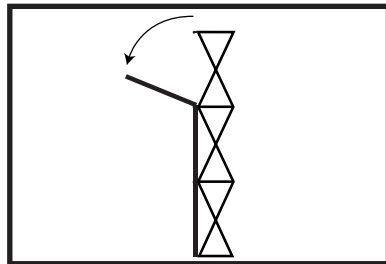


Roll individual **Smooth** fabric or
Graphic Panels with liners in between
and roll fabric/image side out. Repeat
same for End Caps.

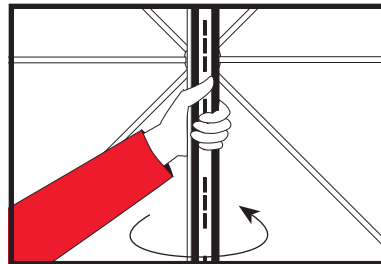


Put rolled panels into case one at a time
and one inside another. The top stiffener
of one panel should touch the bottom
stiffener of the previous panel. Stack
Endcaps two high.

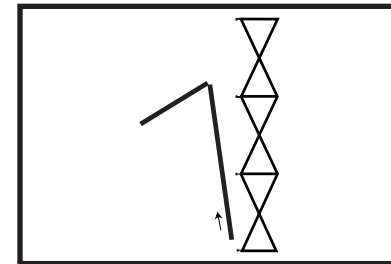
Remove Magnetic Struts
and Collapse Frames:



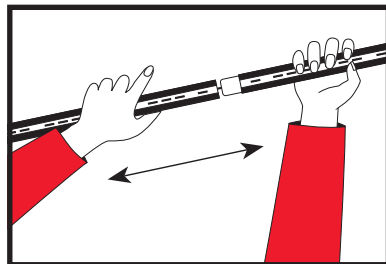
Lift top section of strut up. rotate down.
Remove all lights.



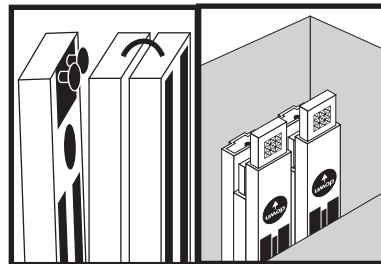
Twist strut to unsnap from frame.



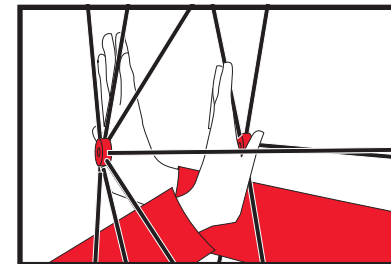
Lift bottom of strut off bottom stud.



Pull strut sections apart.



Fold lengthwise ensuring that pegs at
top of strut face inward. Place connected
struts upside down in case.



Push on middle hub at back of frame while
pushing on corresponding front hub. Instand
will sink to the floor. Handle frame at hubs.