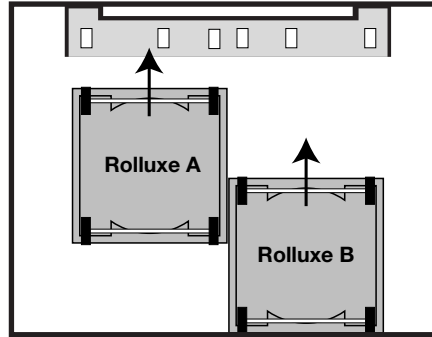
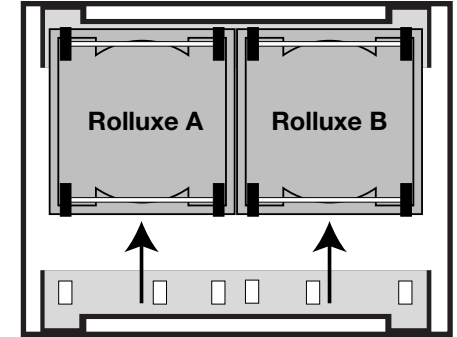
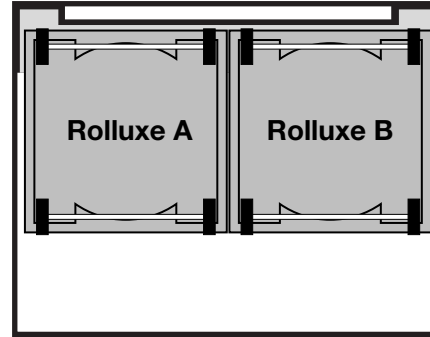


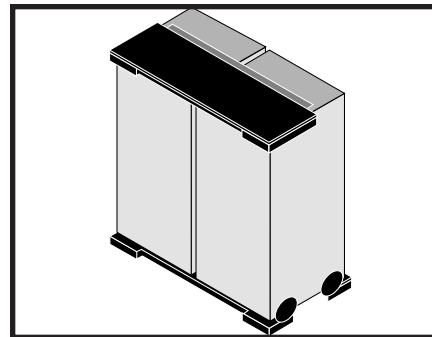
Setting Up Your Rolluxe Counter



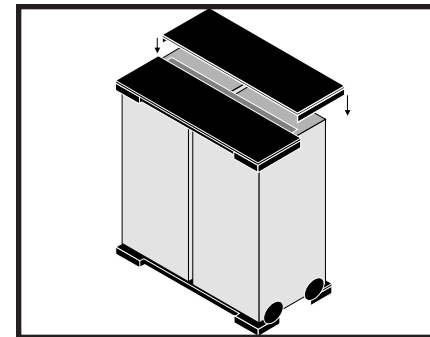
Place one wheel stop on the floor and roll the cases on to it.



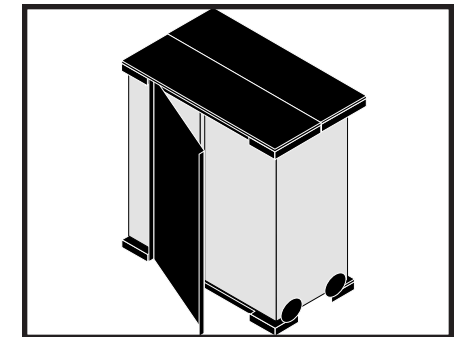
Place second wheel stop on the floor under the opposite wheels.



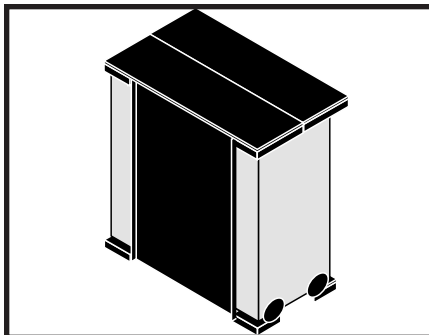
Place the plastic top shelf half with exposed magnetic lip on top of the case.



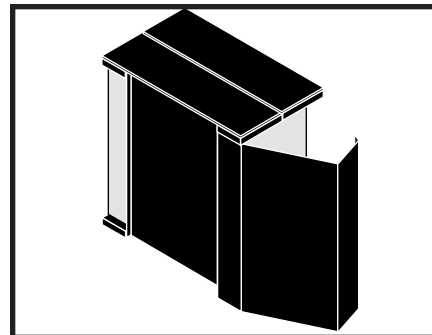
Place the second plastic top shelf half on top of the cases ensuring magnets are aligned and engaged.



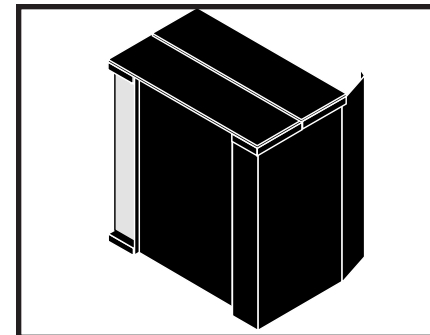
Attach front fabric panel to Velcro at top and bottom. Form a straight line with magnets on front panel before attaching end caps.



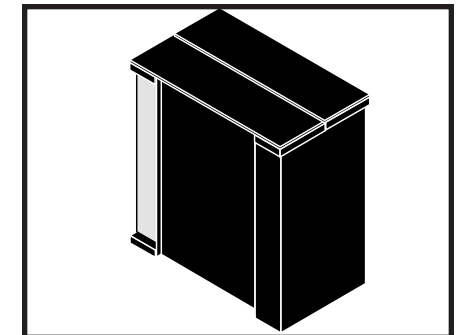
Repeat on opposite side.



Attach fabric end cap by starting at corner...



...wrap end cap along top edge then bottom edge. Slide hands along length of edge of end cap to bond magnets.



Repeat with last end cap. Counter load is 100 lbs / 46 kg; a heavier load may cause failure.